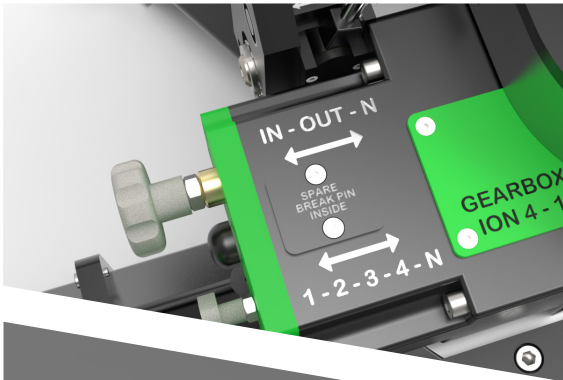
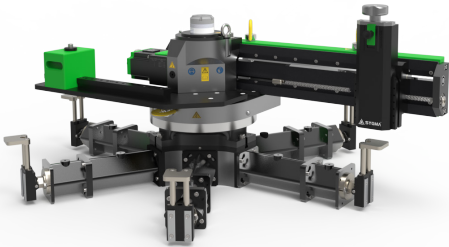
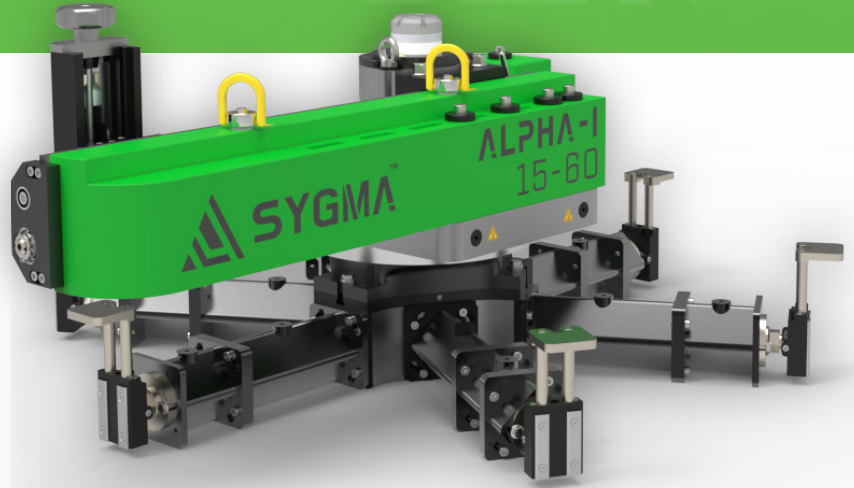


## Alpha-I 15-60

The Alpha Series are available in different interchangeable drive configurations allowing you to tackle any on-site challenge.

Our unique and signature modular design also allows you to quickly and easily convert your Alpha-I series for all your orbital milling applications with our Legacy Milling unit.



### Clamping Capacity

	mm	inch
Min. Clamping Diameter	Ø 379	Ø 15
Max. Clamping Diameter	Ø 1358	Ø 54

### Machining Capacity

	mm	inch
Min. Machining Diameter	Ø 360	Ø 14.25*
Max. Machining Diameter	Ø 1514	Ø 60*

\*based on neutral cutting tool

### Dimensional Info

#### Case Dimension

1200mmx900mmx600mm

**Pneumatic Motor Supply**  
2400W / 3.22 HP

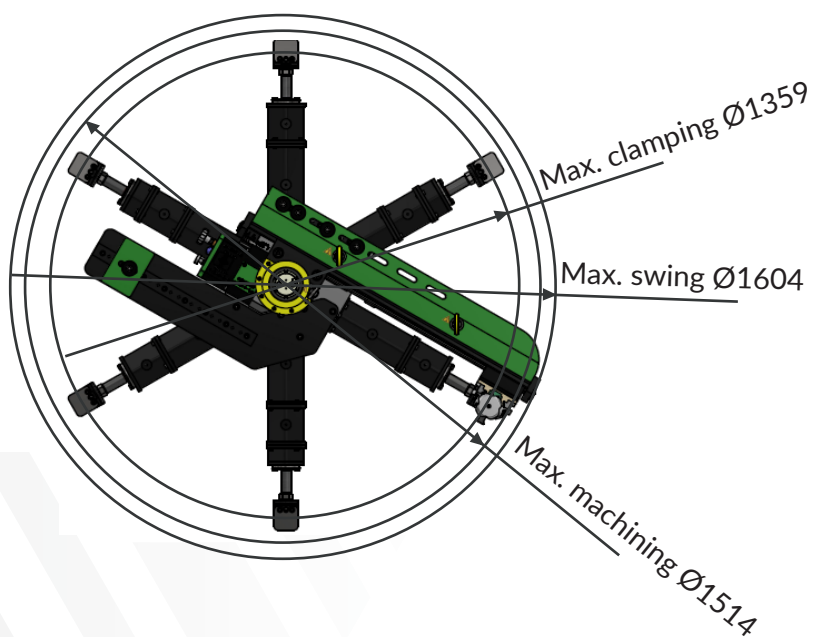
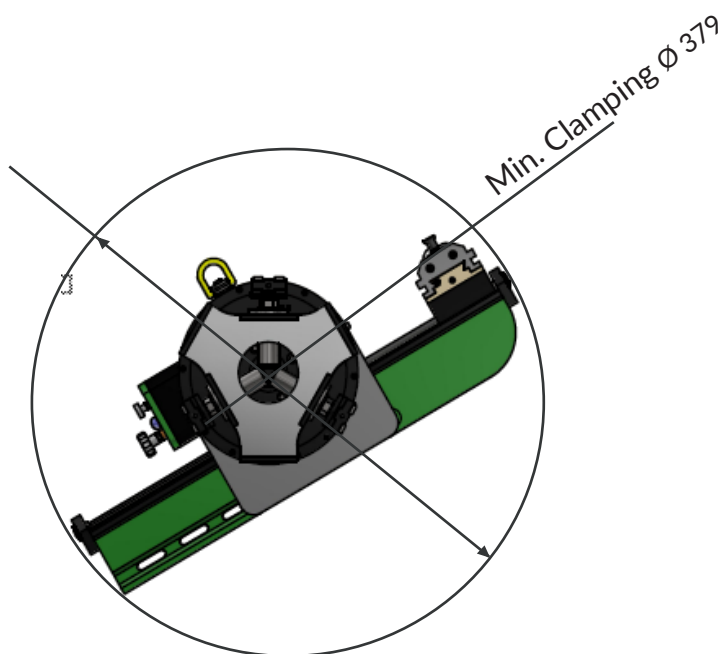
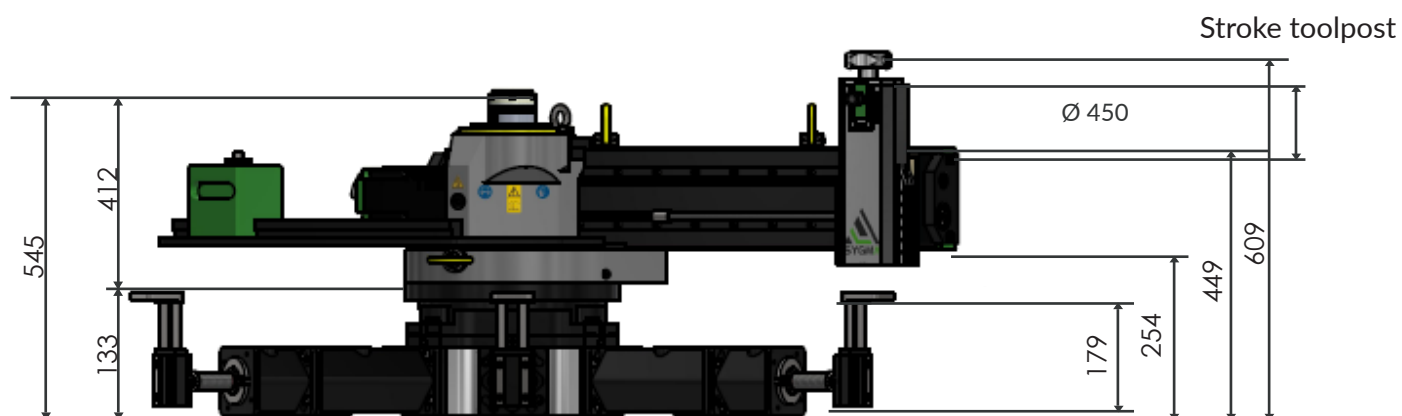
**Pneumatic Power Supply**  
2700 l/min

**Overall Height Machine**  
545 mm

### Key Features

- ⊙ Easy setup & operation (plug&play)
- ⊙ Optimised stability due to high torque output
- ⊙ Zero Backlash
- ⊙ Multiple Motorization Available
- ⊙ Modular Design
- ⊙ Unique integrated Safety Features
- ⊙ Adjustable Clamping Feet
- ⊙ Customisable Options
- ⊙ In-House Engineered Heavy Duty ION-4 Gearbox
- ⊙ NO-ROW Clamping Feet

# Dimensional Data



# Case Content

1. Alpha-I 15-60
2. Toolkit
3. Air Caddy
4. Hoist Equipment
5. CE Certificate
6. Manual
7. Durable Case

## Accessories

- ⦿ Automatic Toolpost - 360° rotatable integrated end of stroke
- ⦿ Heat Exchanger Back Facing Kit
- ⦿ Heat Exchanger Mounting Plate Kit
- ⦿ Outside Clamping Extension
- ⦿ Orbital Milling Unit (only available with a certain configuration)
- ⦿ Remote Control (only available with a certain configuration)
- ⦿ CNC Servo Drive Arrangement
- ⦿ Heavy Duty (Steel) Case